

# QT-SM-DFISFP-10G-10KM

10Gbps Industrial SFP+ Optical Transceiver 10KM, DDM



- SFP+ package with LC connector;
- 1310nm DFB Laser and PIN photo detector;
- Up to 10km transmission on SMF;
- Power dissipation < 1W;
- LVPECL compatible data input/output interface;
- Low EMI and excellent ESD protection;
- laser safety standard IEC-60825 compliant;
  
- Compatible with RoHS;
- Compatible with SFF8472;

**RoHS** **FC** **CE**

## 1: APPLICATION

- 10GBASE-SR/SW 10G Ethernet;
- 1200-Mx-SN-I 10G Fiber Channel;

## 2: TECHNICAL SPECIFICATION

Parameter	Symbol	Minimum	Typical	Maximum	Units
<b>Absolute Maximum Ratings</b>					
Storage Temperature	Tst	-40	-	+85	°C
Supply Voltage	Vcc	0	-	+3.6	V
Operating Relative Humidity	RH	0	-	85	%
<b>Operation Environment</b>					
Supply Voltage	Vcc	3.15		3.45	V
Operating Case Temperature	Tc	0		+70	
Power Dissipation				1	W
Data Rate			10.3125		Mbps
<b>Optical Characteristics</b>					
<b>Transmitter Section</b>					
Center Wavelength	$\lambda_0$	1290	1310	1330	nm

Average Output Power	SMSR	35	-	-	dB
Extinction Ratio	Po	-5	-	+0.5	dBm
Rise/Fall Time(20%~80%)	Er	3.5	-	-	dB
Total jitter				3.2	dB
Relative Intensity Noise	RIN12OM A			-128	dB/Hz
Total jitter	Tj	IEEE 802.3ae			
<b>Receiver Section</b>					
Center Wavelength	$\lambda_o$		1310		nm
Receiver Sensitivity	Rsen			-14	dBm
Receiver Overload	Rsen			-13	dBm
Return Loss	Rov	+0.5			dBm
LOS Assert		12			dB
LOS Dessert	LOSA	-28			dBm
LOS Hysteresis	LOSD			-15	dBm
<b>Electrical Characteristics</b>					
<b>Transmitter Section</b>					
Input Differential Impedence	Zin	90	100	110	Ohm
Data Input Swing Differential	Vin	180		700	mV
TX Disable	Disable		2.0	Vcc	V
	Enable		0	0.8	V
TX Fault	Assert		2.0	Vcc	V
	Deassert		0	0.8	V
<b>Receiver Section</b>					
Output differential impedence	Zout		100		Ohm
Data Input Swing Differential	Vout	300		800	mV
Rx_LOS	Assert		2.0	Vcc	V

	Deassert		0		0.8	V
--	----------	--	---	--	-----	---

Add.	Field Size (Bytes)	Name of Field	HEX	Description
<b>EEPROM INFORMATION (A0)</b>				
0	1	Identifier	03	SFP
1	1	Ext. Identifier	04	MOD4
2	1	Connector	07	LC
3-10	8	Transceiver	10 00 00 00 00 00 00 00	Transmitter Code
11	1	Encoding	06	64B66B
12	1	BR, nominal	67	10000M bps
13	1	Reserved	00	
14	1	Length (9um)-km	0A	10km
15	1	Length (9um)	00	
16	1	Length (50um)	00	
17	1	Length (62.5um)	00	
18	1	Length (copper)	00	
19	1	Reserved	00	
20-35	16	Vendor name	57 49 4E 54 4F 50 20 20 20 20 20 20 20 20 20 20	EWIND
36	1	Reserved	00	
37-39	3	Vendor OUI	00 00 00	
40-55	16	Vendor PN	xx xx xx xx xx xx xx xx xx xx xx xx xx xx xx xx	ASC II
56-59	4	Vendor rev	31 2E 30 20	V1.0

60-61	2	Wavelength	05 1E	1310nm
62	1	Reserved	00	
63	1	CC BASE	XX	Check sum of byte 0~62
64-65	2	Options	00 1A	LOS, TX_DISABLE, TX_FAULT
66	1	BR, max	00	
67	1	BR, min	00	
68-83	16	Vendor SN	00 00 00 00 00 00 00 00 00 00 00 00 00 00 00 00 00	Unspecified
84-91	8	Vendor date code	XX XX XX 20	Year, Month, Day
92-94	3	Reserved	00	
95	1	CC_EXT	XX	Check sum of byte 64~94
96-255	160	Vendor specific		

Parameter	Range	Accuracy	Unit	Calibration
<b>Diagnostics</b>				
Temperature	-40 ~ 85	±5	°C	Internal
Voltage	3.15 ~ 3.45	0.1	V	Internal
Bias Current	10 ~ 80	±2	mA	Internal
Tx Power	-8 ~ 1	±2	dBm	Internal
Rx Power	-18 ~ -3	±3	dBm	Internal

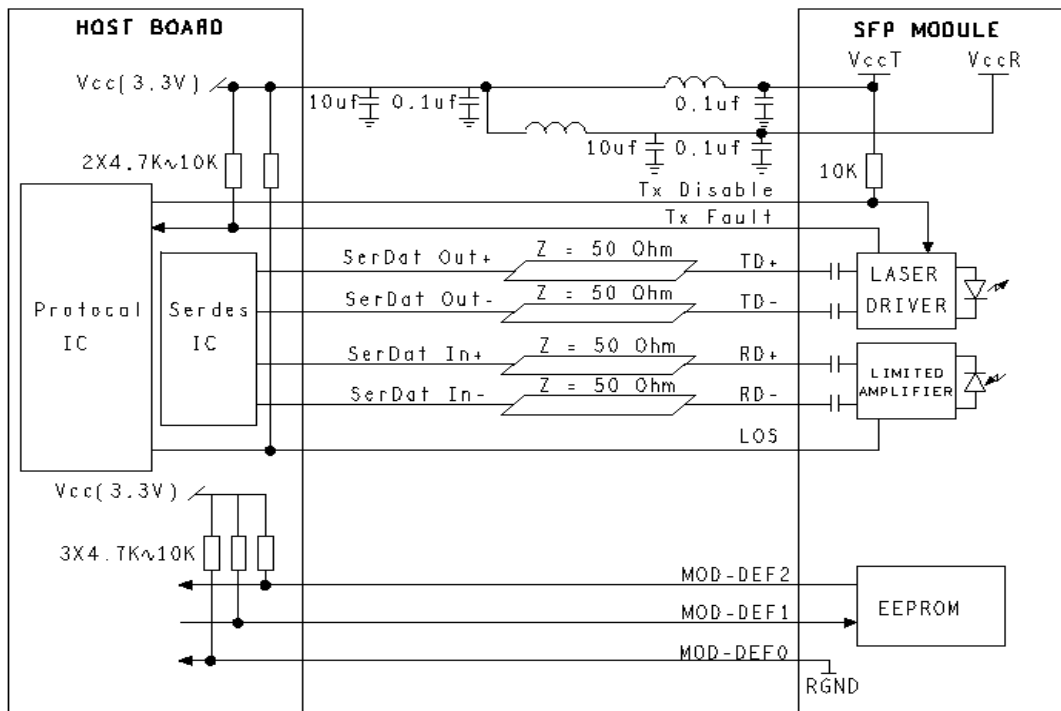
Pins	Name	Description	NOTE
<b>Pin Description</b>			
1	VeeT	Transmitter Ground	-
2	Tx Fault	Transmitter Fault Indication	1
3	Tx Disable	Transmitter Disable	2
4	MOD DEF2	Module Definition 2	3
5	MOD DEF1	Module Definition 1	3
6	MOD DEF0	Module Definition 0	3
7	Rate Select	Not Connected	-
8	LOS	Loss of Signal	4
9	VeeR	Receiver Ground	-
10	VeeR	Receiver Ground	-
11	VeeR	Receiver Ground	-
12	RD-	Inv. Received Data Output	5
13	RD+	IReceived Data Output	5
14	VeeR	Receiver Ground	-
15	VccR	Receiver Power	-
16	VccT	Transmitter Power	-
17	VeeT	Transmitter Ground	-
18	TD+	Transmit Data Input	6
19	TD-	Inv. Transmit Data Input	6
20	VeeT	Transmitter Ground	-

## Notes:

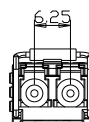
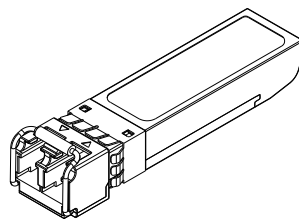
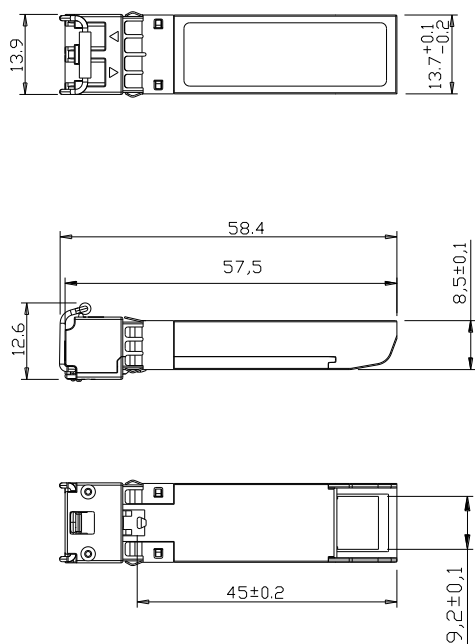
1. TX Fault is an open collector output, which should be pulled up with a 4.7k~10k $\Omega$  resistor on the host board to a voltage between 2.0V and Vcc+0.3V. Logic 0 indicates normal operation; logic 1 indicates a laser fault of some kind. In the low state, the output will be pulled to less than 0.8V.
2. TX Disable is an input that is used to shut down the transmitter optical output. It is pulled up within the module with a 4.7k~10k $\Omega$  resistor. Its states are:  
 Low (0~0.8V): Transmitter on  
 (>0.8V, <2.0V): Undefined

- High (2.0~3.465V): Transmitter Disabled
- Open: Transmitter Disabled
- 3. MOD-DEF 0,1,2 are the module definition pins. They should be pulled up with a 4.7k~10kΩ resistor on the host boards. The pull-up voltage shall be VccT or VccR.
  - MOD-DEF 0 is grounded by the module to indicate that the module is present
  - MOD-DEF 1 is the clock line of two wire serial interface for serial ID
  - MOD-DEF 2 is the data line of two wire serial interface for serial ID
- 4. LOS is an open collector output, which should be pulled up with a 4.7k~10kΩ resistor on the host board to a voltage between 2.0V and Vcc+0.3V. Logic 0 indicates normal operation; logic 1 indicates loss of signal. In the low state, the output will be pulled to less than 0.8V.
- 5. These are the differential receiver output. They are internally AC-coupled 100Ω differential lines which should be terminated with 100Ω (differential) at the user SERDES.
- 6. These are the differential transmitter inputs. They are AC-coupled, differential lines with 100Ω differential termination inside the module.

### 3: Recommended Application Circuit



4: Outline drawing (mm)



Units in mm